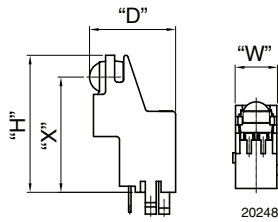
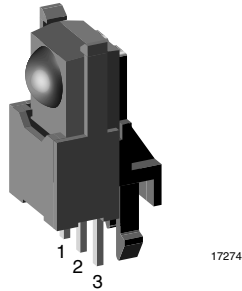


IR Receiver Modules for Remote Control Systems


FEATURES

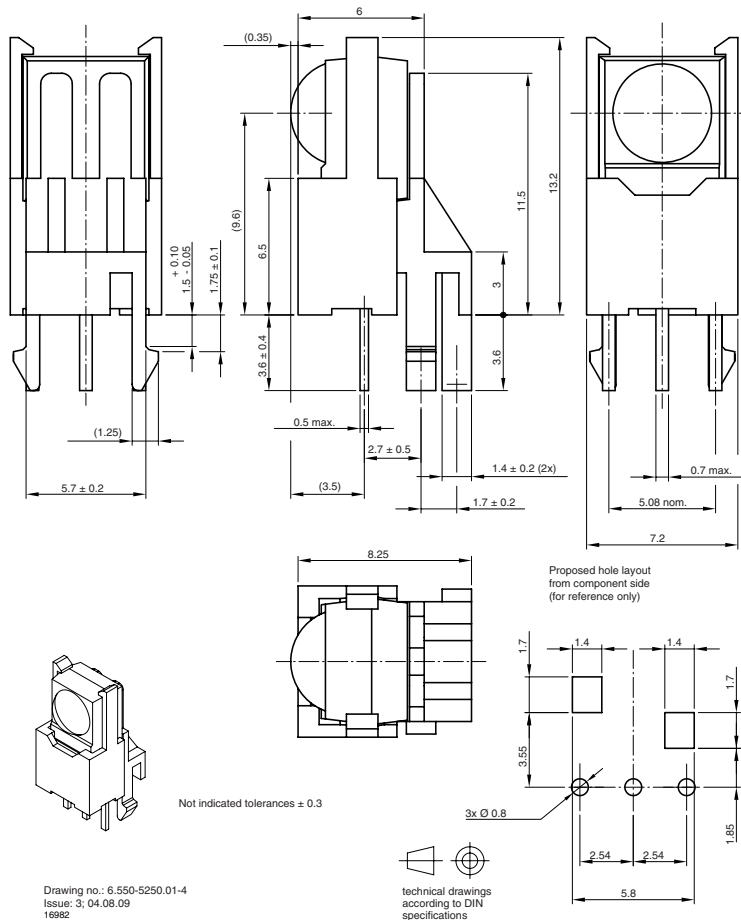
- Compliant to RoHS directive 2002/95/EC and in accordance to WEEE 2002/96/EC


AVAILABLE FOR:

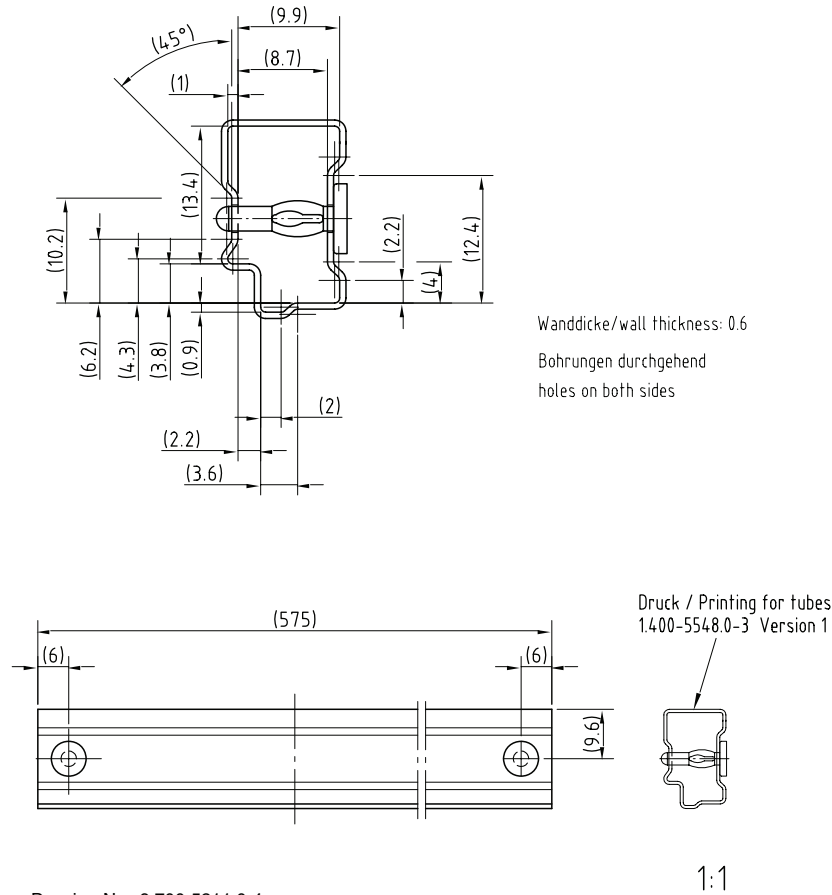
- TSOP34...
- TSOP4....
- TSOP32...
- TSOP2....


RoHS
COMPLIANT

NAME	LENS AXIS (X)	VIEW	TYPE	HEIGHT (H)	WIDTH (W)	DEPTH (D)
IV1	9.6	Side	Holder	13.2	7.2	8.6

MECHANICAL DIMENSIONS in millimeters


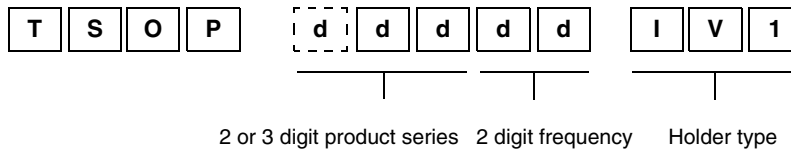
PACKAGING DIMENSIONS in millimeters



Drawing-No.: 9.700-5211.0-4
Rev. 10; Date: 20.11.03

20260-1

ORDERING INFORMATION



Note

d = "digit", please consult the list of available series on the previous page to create a valid part number.

Example: TSOP14838IV1

PACKING QUANTITY

- 72 pieces per tube
- 33 tubes per carton